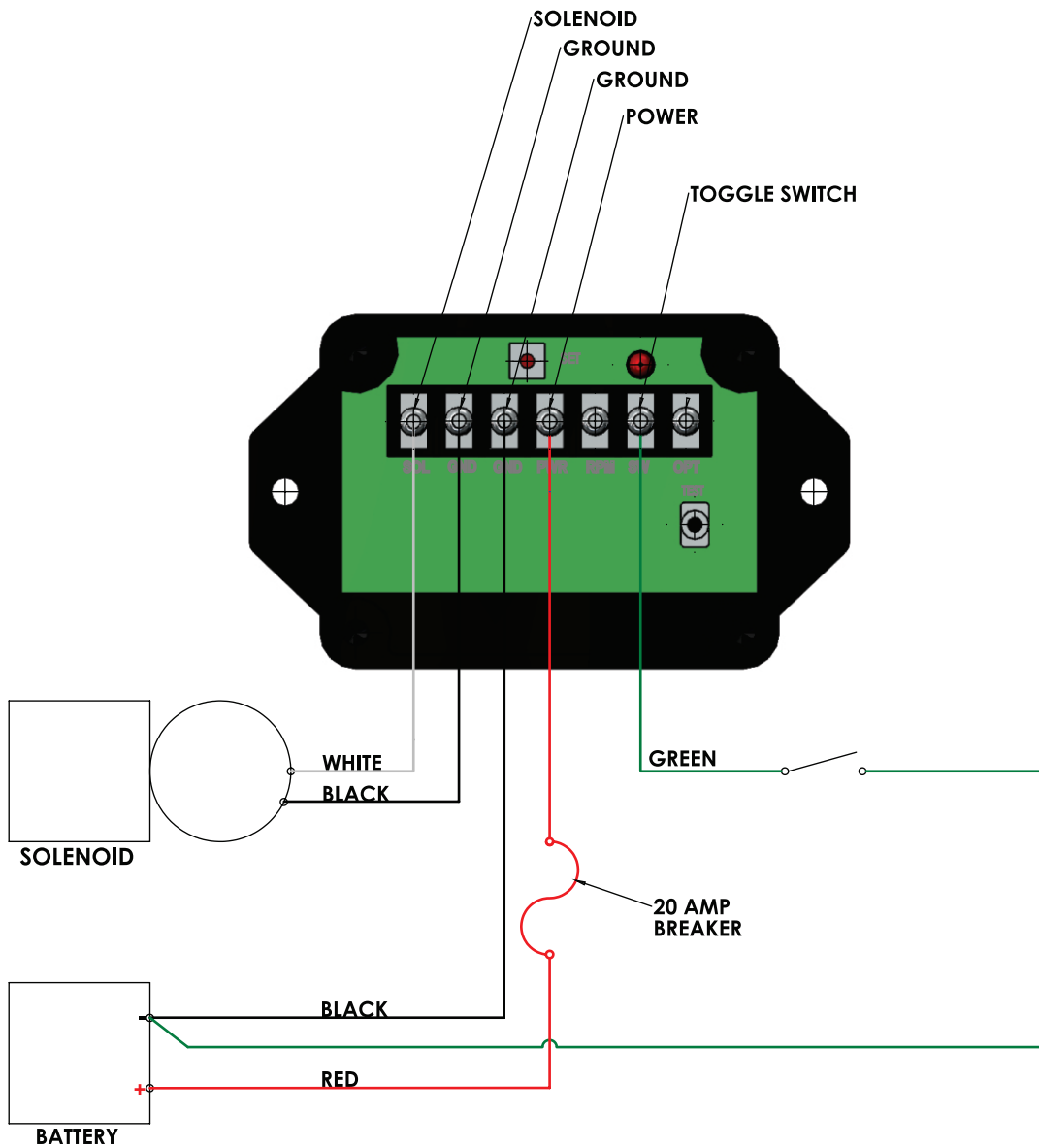


Solid State Relay R4 WIRING HARNESS ASSEMBLY



Power and ground MUST be run directly back to the battery with 14 gauge wire (maximum 9.5'). Improper grounding will cause damage to the component, voiding warranty.

WIRE SIZE RECOMMENDATION TABLE					
Maximum lead length (in feet)					
	14 GA	12 GA	10 GA	8 GA	6 GA
12 V DC	9.5	15	24	38	60
24 V DC	38	60	96	150	240

IMPROPER GROUNDING OR REMOVAL OF DELPHI PLUG CAN CAUSE DAMAGE TO COMPONENTS, VOIDING WARRANTY

**CONNECTORS MUST BE RATED 25 AMP MINIMUM.
DO NOT USE: DEUSCH DT,DTM,DTMH,DTMN.**

Headwind Solutions Ltd. warrants the components of this device for a period of two (2) years from the date of purchase. The customer is responsible for the correct installation, setup and testing of the product, including: a) the location of all components; b) correct wiring connections and wire gauge; c) correct setup and testing of the installed product. This warranty is void if the product is incorrectly installed, set up or tested.