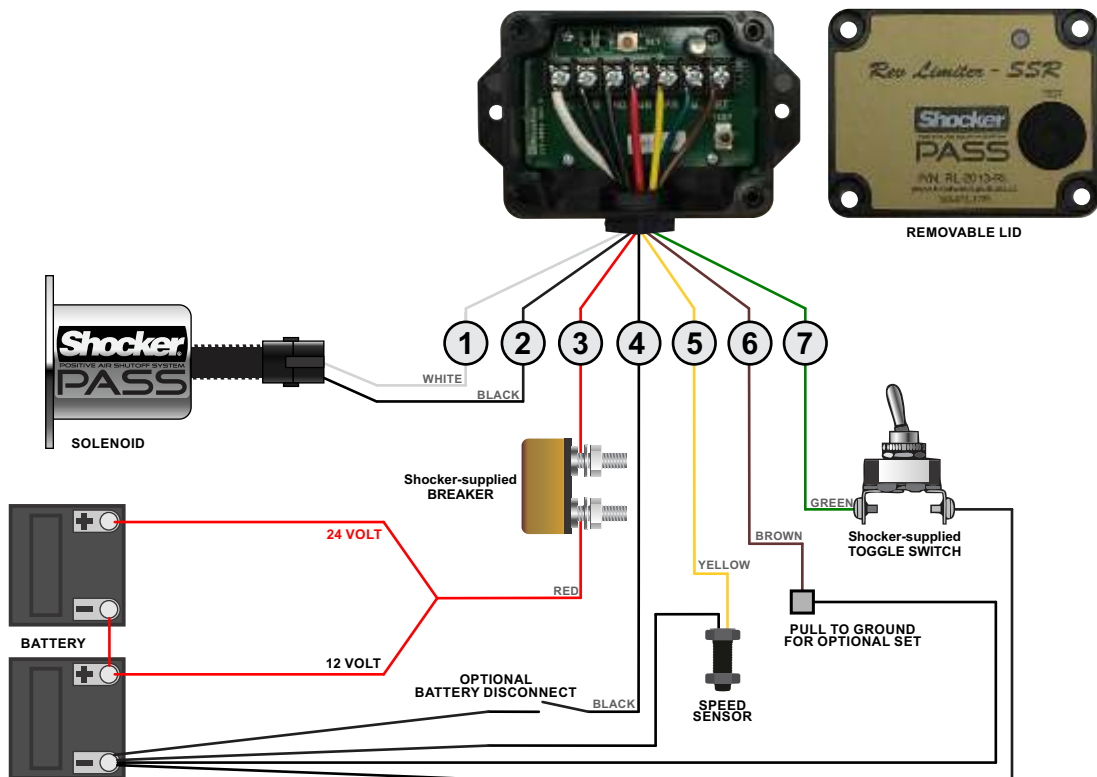


Wiring Diagram RL-2013-RL



Use crimp-type heat shrink connectors. Power and ground MUST be run DIRECTLY to the battery with a minimum of 12 gauge wire. Improper grounding WILL cause damage to the component, voiding warranty.

Pin	Use	AWG #	Color
1	Solenoid Pull-In	12	White
2	Solenoid Ground	12	Black
3	12-24 V Battery Power (+)	12	Red
4	Battery Ground	12	Black
5	RPM/Pulse Source	16	Yellow
6	Work Mode Lead Switch	16	Brown
7	Manual Switch	16	Green

WIRE SIZE RECOMMENDATION TABLE					
Maximum lead length (in feet)					
	14 GA	12 GA	10 GA	8 GA	6 GA
12 V DC	9.5	15	24	38	60
24 V DC	38	60	96	150	240

IMPROPER GROUNDING OR REMOVAL OF DELPHI PLUG CAN CAUSE DAMAGE TO COMPONENTS, VOIDING WARRANTY

**CONNECTORS MUST BE RATED 25 AMP MINIMUM.
DO NOT USE: DEUSCH DT,DTM,DTMH,DTMN.**

Headwind Solutions warrants the components of this device for a period of two (2) years from the date of purchase. The customer is responsible for the correct installation, setup and testing of the product, including: a) the location of all components; b) correct wiring connections and wire gauge; c) correct setup and testing of the installed product. This warranty is void if the product is incorrectly installed, set up or tested.