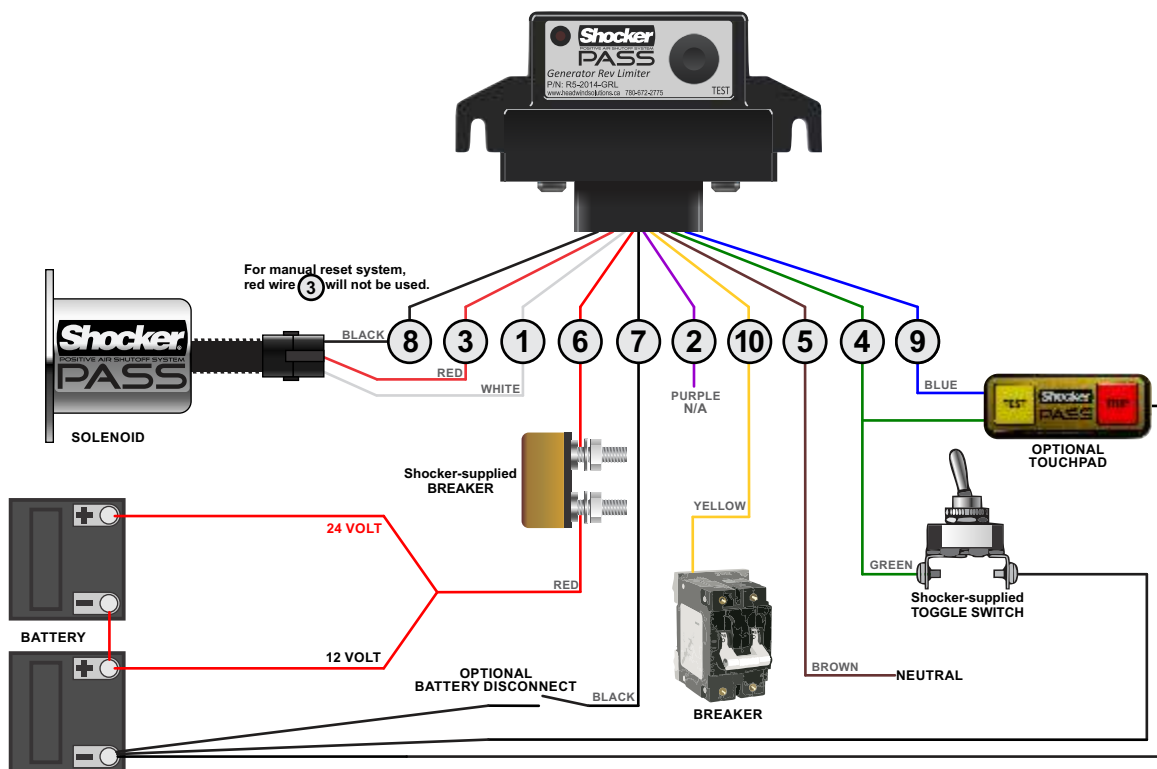


Wiring Diagram R5-2014-GRL



Use crimp-type heat shrink connectors. Power and ground MUST be run DIRECTLY to the battery with a minimum of 12 gauge wire. Improper grounding WILL cause damage to the component, voiding warranty.

Pin	Use	AWG #	Color
1	Solenoid Pull-In	12	White
2	N/A	16	Purple
3	Solenoid Hold	12	Red
4	Manual Switch	16	Green
5	Neutral	16	Brown
6	12-24 V Battery Power (+)	12	Red
7	Battery Ground (-)	12	Black
8	Solenoid Ground	12	Black
9	Optional Touch Pad Remote Test	16	Blue
10	Line Input (120V/240V AC)	16	Yellow

**** 5 & 10 MUST BE TERMINATED LINE SIDE OF MAIN BREAKER ****

12 gauge minimum wire must be used for ground and power supply. Do not extend ground and power harness wires; doing so will void the warranty. Order the appropriate wire harness according to the following list:

6' length: WH-0001-R5-6ft

9' length: WH-0001-R5

15' length: WH-0001-R5-GRL

25' length: WH-0001-R5-24V

**IMPROPER GROUNDING OR REMOVAL OF DELPHI PLUG CAN
CAUSE DAMAGE TO COMPONENTS, VOIDING WARRANTY**

**CONNECTORS MUST BE RATED 25 AMP MINIMUM.
DO NOT USE: DEUSCH DT,DTM,DTMH,DTMN.**

Headwind Solutions warrants the components of this device for a period of two (2) years from the date of purchase. The customer is responsible for the correct installation, setup and testing of the product, including: a) the location of all components; b) correct wiring connections and wire gauge; c) correct setup and testing of the installed product. This warranty is void if the product is incorrectly installed, set up or tested.

©2019 Headwind Solutions. All rights reserved.

780-672-2775 • Toll Free: 1-844-304-7277

www.headwindsolutions.ca

V1.01/24 Oct. 2019