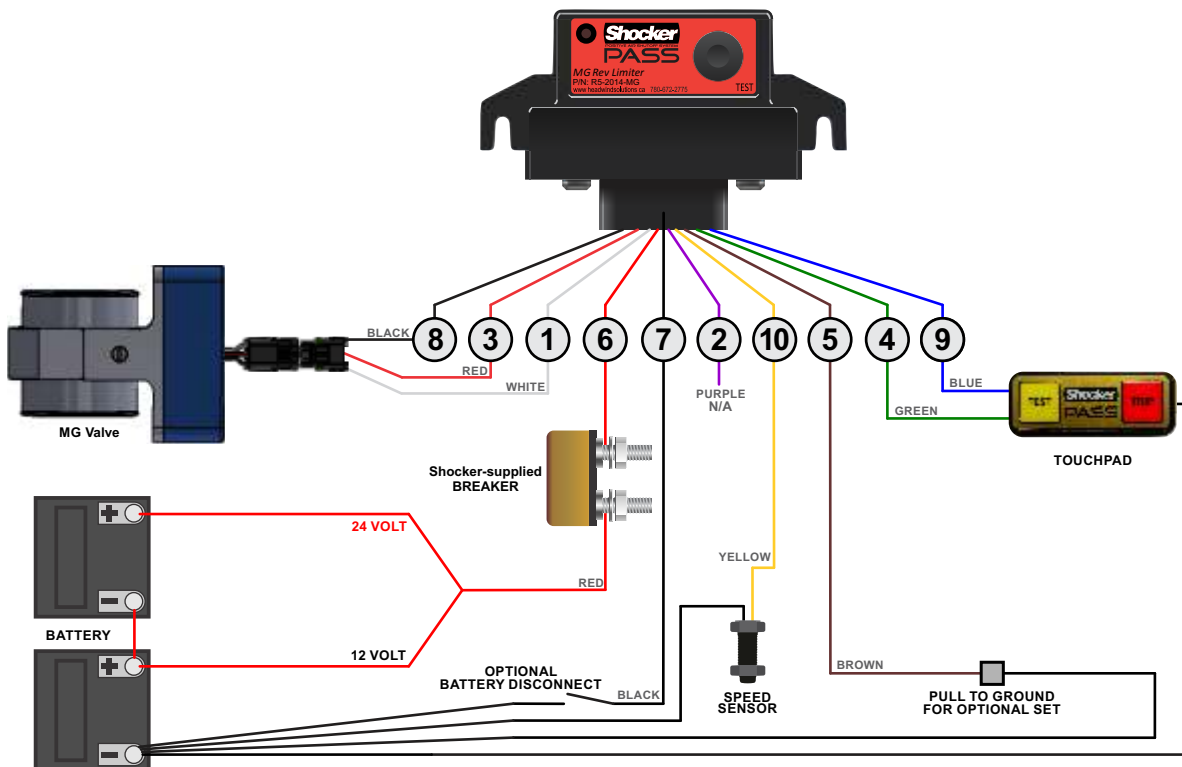


Wiring Diagram R5-2014-MG



Use crimp-type heat shrink connectors. Power and ground MUST be run DIRECTLY to the battery with a minimum of 12 gauge wire. Improper grounding WILL cause damage to the component, voiding warranty.

Pin	Use	AWG #	Color
1	MG Board Power	12	White
2	N/A	16	Purple
3	MG Board Power	12	Red
4	Manual Switch	16	Green
5	Work Mode Switch Lead	16	Brown
6	12-24 V Battery Power (+)	12	Red
7	Battery Ground (-)	12	Black
8	MG board Ground	12	Black
9	Optional Touch Pad Remote Test	16	Blue
10	RPM/Pulse Source	16	Yellow

12 gauge minimum wire must be used for ground and power supply. Do not extend ground and power harness wires; doing so will void the warranty. Order the appropriate wire harness according to the following list:
 6' length: WH-0001-R5-6ft
 9' length: WH-0001-R5
 15' length: WH-0001-R5-GRL
 25' length: WH-0001-R5-24V

IMPROPER GROUNDING OR REMOVAL OF DELPHI PLUG CAN CAUSE DAMAGE TO COMPONENTS, VOIDING WARRANTY

**CONNECTORS MUST BE RATED 25 AMP MINIMUM.
DO NOT USE: DEUTSCH DT,DTM,DTMH,DTMN.**

Headwind Solutions warrants the components of this device for a period of two (2) years from the date of purchase. The customer is responsible for the correct installation, setup and testing of the product, including: a) the location of all components; b) correct wiring connections and wire gauge; c) correct setup and testing of the installed product. This warranty is void if the product is incorrectly installed, set up or tested.