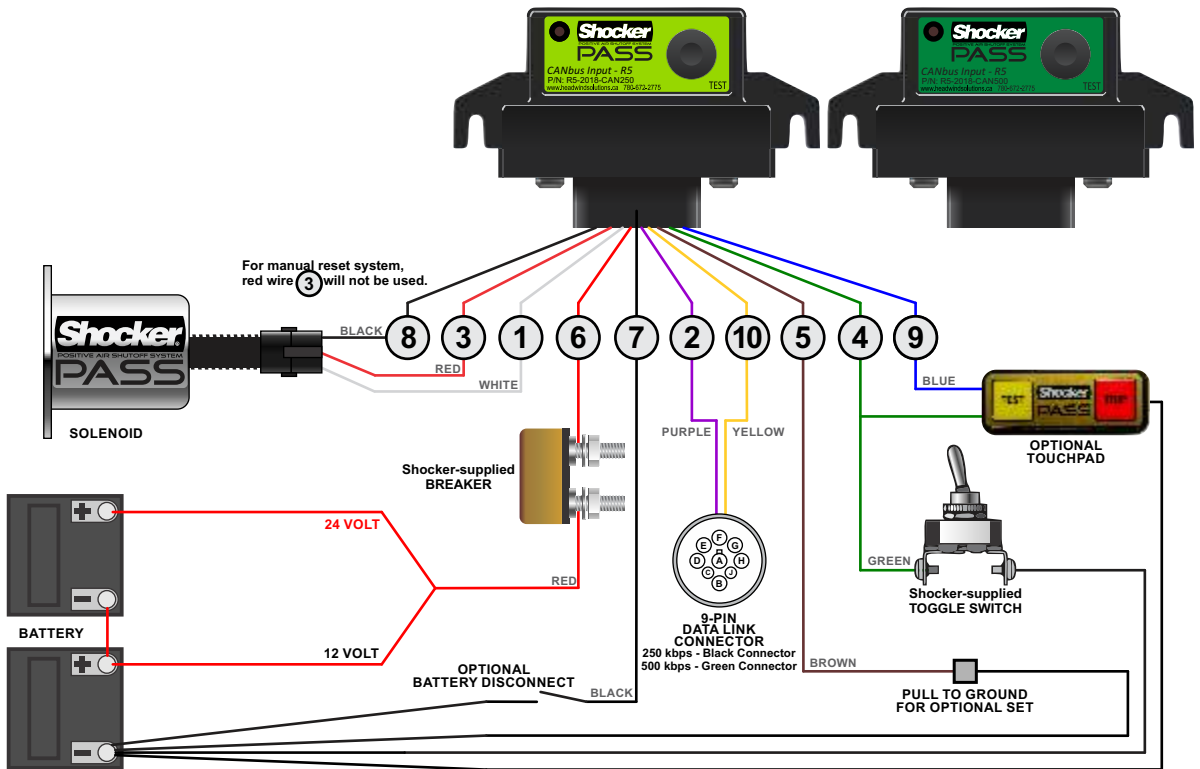


Wiring Diagram

R5-2018-CAN250 or 500



Use crimp-type heat shrink connectors. Power and ground MUST be run DIRECTLY to the battery with a minimum of 12 gauge wire. Improper grounding WILL cause damage to the component, voiding warranty.

Pin	Use	AWG #	Color
1	Solenoid Pull-In	12	White
2	CANbus Lo	16	Purple
3	Solenoid Hold	12	Red
4	Manual Switch	16	Green
5	Work Mode Switch Lead	16	Brown
6	12-24 V Battery Power (+)	12	Red
7	Battery Ground (-)	12	Black
8	Solenoid Ground	12	Black
9	Optional Touch Pad Remote Test	16	Blue
10	CANbus Hi	16	Yellow

12 gauge minimum wire must be used for ground and power supply. Do not extend ground and power harness wires; doing so will void the warranty. Order the appropriate wire harness according to the following list:
 6' length: WH-0001-R5-6ft
 9' length: WH-0001-R5
 15' length: WH-0001-R5-GRL
 25' length: WH-0001-R5-24V

IMPROPER GROUNDING OR REMOVAL OF DELPHI PLUG CAN CAUSE DAMAGE TO COMPONENTS, VOIDING WARRANTY

**CONNECTORS MUST BE RATED 25 AMP MINIMUM.
DO NOT USE: DEUSCH DT,DTM,DTMH,DTMN.**

Headwind Solutions warrants the components of this device for a period of two (2) years from the date of purchase. The customer is responsible for the correct installation, setup and testing of the product, including: a) the location of all components; b) correct wiring connections and wire gauge; c) correct setup and testing of the installed product. This warranty is void if the product is incorrectly installed, set up or tested.